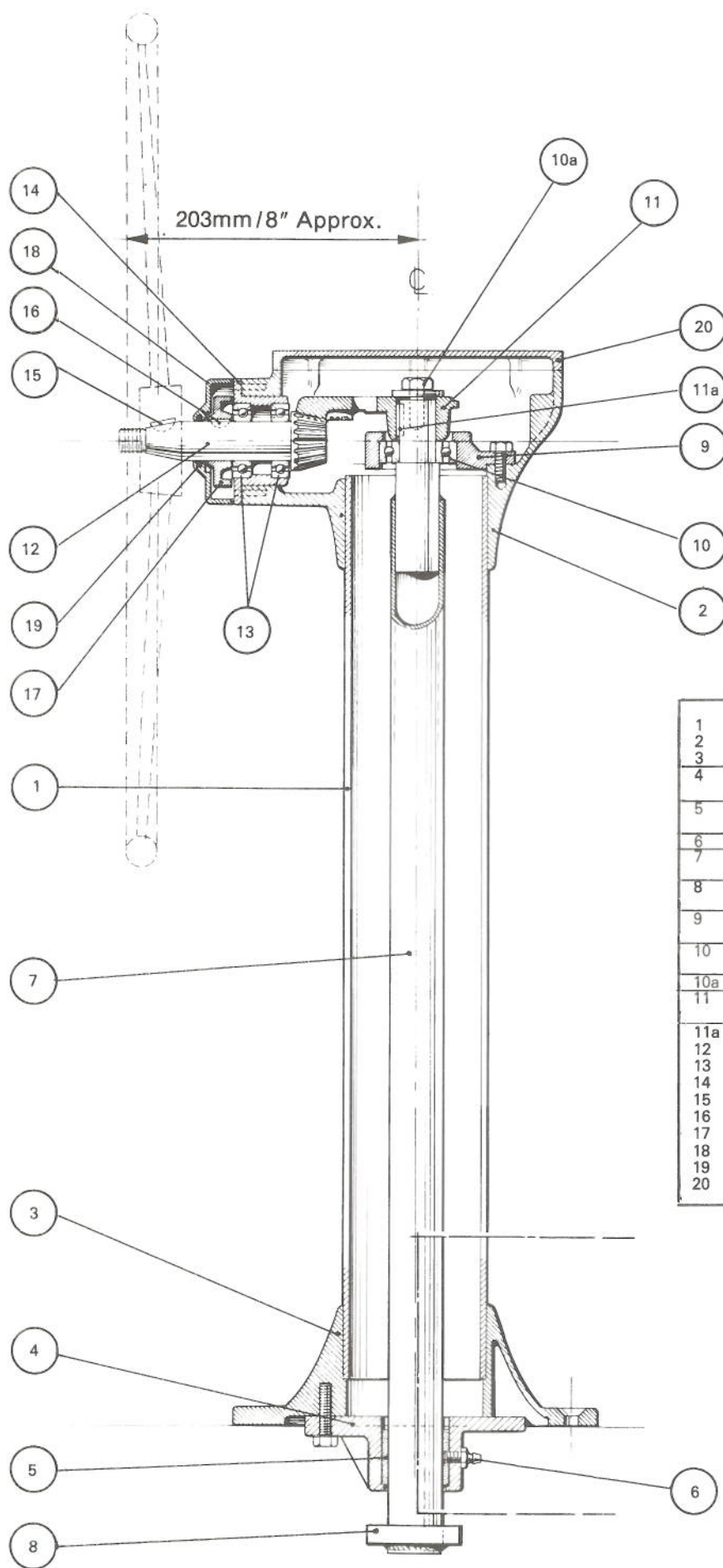


Cobra System



| | |
|-----|--|
| 1 | TUBE ASSEMBLY |
| 2 | TOP BOWL CASTING |
| 3 | FOOT CASTING |
| 4 | LOWER BEARING MOUNTING (6158 COBRA 3) |
| 5 | LOWER BEARING MOUNTING (7158 COBRA 3R) |
| 6 | GREASE NIPPLE |
| 7 | TORQUE TUBE (6170 COBRA 3) |
| 8 | TORQUE TUBE (7170 COBRA 3R) |
| 9 | DRAG LINK (6171 COBRA 3) |
| 10 | DRAG LINK (7171 COBRA 3R) |
| 11 | TOP BEARING MOUNTING (6172 COBRA 3) |
| 11a | TOP BEARING MOUNTING (7172 COBRA 3R) |
| 12 | SHAFT MAIN BEARING (6173 COBRA 3) |
| 13 | SHAFT MAIN BEARING (7173 COBRA 3R) |
| 14 | QUADRANT LOCATING BOLT & WASHER |
| 15 | QUADRANT GEAR (6173 COBRA 3) |
| 16 | QUADRANT GEAR (7173 COBRA 3R) |
| 17 | FEATHER KEY (QUADRANT) |
| 18 | PINION & SHAFT |
| 19 | PINION BEARINGS |
| 20 | PINION BEARING MOUNTING |
| | WOODRUFF KEY (WHEEL) |
| | WOODRUFF KEY (DAMPER DRUM) |
| | DAMPER DRUM |
| | DAMPER DRUM COVER |
| | SEAL |
| | TOP COVER |

Note: External dimensions as Mamba 3 & 3R.

Fig. 12 Section through pedestal assembly.